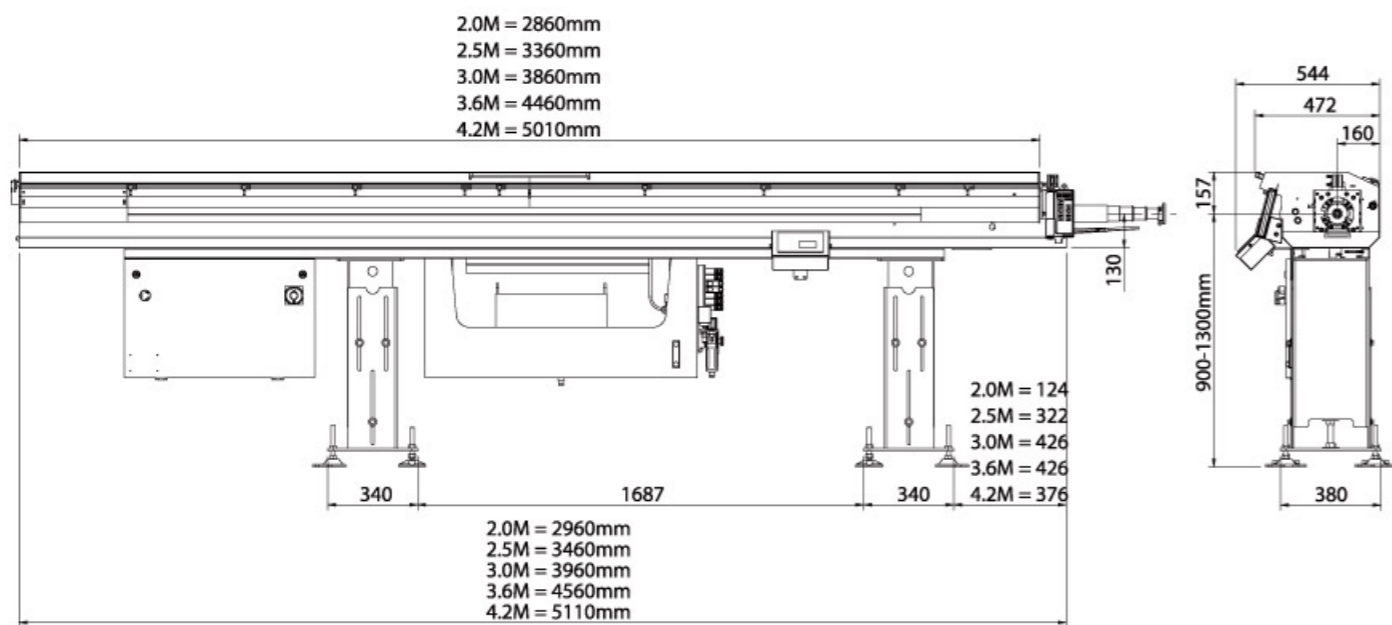


型號	MODEL	EWG / BWG									
規格	SPECIFICATIONS	2.0M / 2.5M / 3.0M / 3.6M / 4.2M									
BWG料管尺寸(膠管)	PU GUIDE CHANNEL	8mm	11mm	14mm	17mm	19mm	21mm	23mm	24mm	25mm	27mm
棒材直徑	BAR DIAMETER	3~07mm	3~10mm	3~13mm	3~16mm	3~18mm	5~20mm	5~22mm	5~23mm	5~24mm	5~26mm
EWG料管尺寸(金屬管)	STEEL GUIDE CHANNEL	11mm		13mm		17mm		21mm		27mm	
棒材直徑	BAR DIAMETER	3~10mm		3~12mm		3~16mm		5~20mm		5~26mm	
置料架容量	BAR CAPACITY	10 mm (3/8") X 23 pcs									
棒材長度	BAR LENGTH	2.0M: 2300 mm / 2.5M: 2700 mm / 3.0M: 3200 mm / 3.6M: 3800 mm / 4.2M: 4400 mm									
機械總重	MACHINE WEIGHT	2.0M - 500kg / 2.5M - 530kg / 3.0M - 560kg / 3.6M - 600kg / 4.2M - 700kg									
空壓供應	AIR PRESSURE	6 kgf / cm <sup>2</sup> 70 psi									
傳動系統	TRANSMISSION	伺服馬達 SERVO MOTOR									
油類	LUBRICANT	FK ISO VG68 / FK HYDRAULIC OIL 68									
油箱容量	CAPACITY	38L (10 GALLON)									
消耗功率	POWER CONSUMPTION	630W									
電源供應	POWER SUPPLY	3ø x 220V / 50/60Hz									

若需要其他資料請上網查詢 Check our website for more details at [www.barload.com](http://www.barload.com).

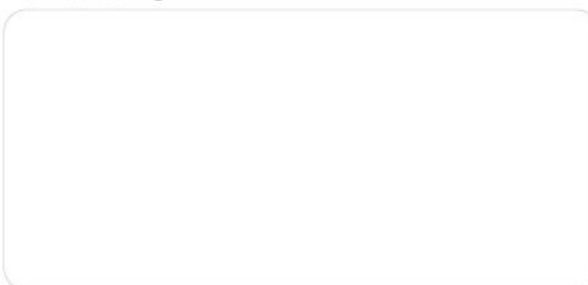


**富豪機電股份有限公司**  
**BARLOAD MACHINE CO., LTD.**

No. 138, Wei-Hsin Road, Shi-Pai Li, Chang-Hua City, Taiwan 50080  
 50080彰化市石牌里維新路138號  
 TEL: +886-4-7384895 FAX: +886-4-7320282  
 E-mail: [info@barload.com.tw](mailto:info@barload.com.tw)

[www.barload.com.tw](http://www.barload.com.tw)

經銷商 Agent



本公司保留設計變更的權利 All Rights Reserved.

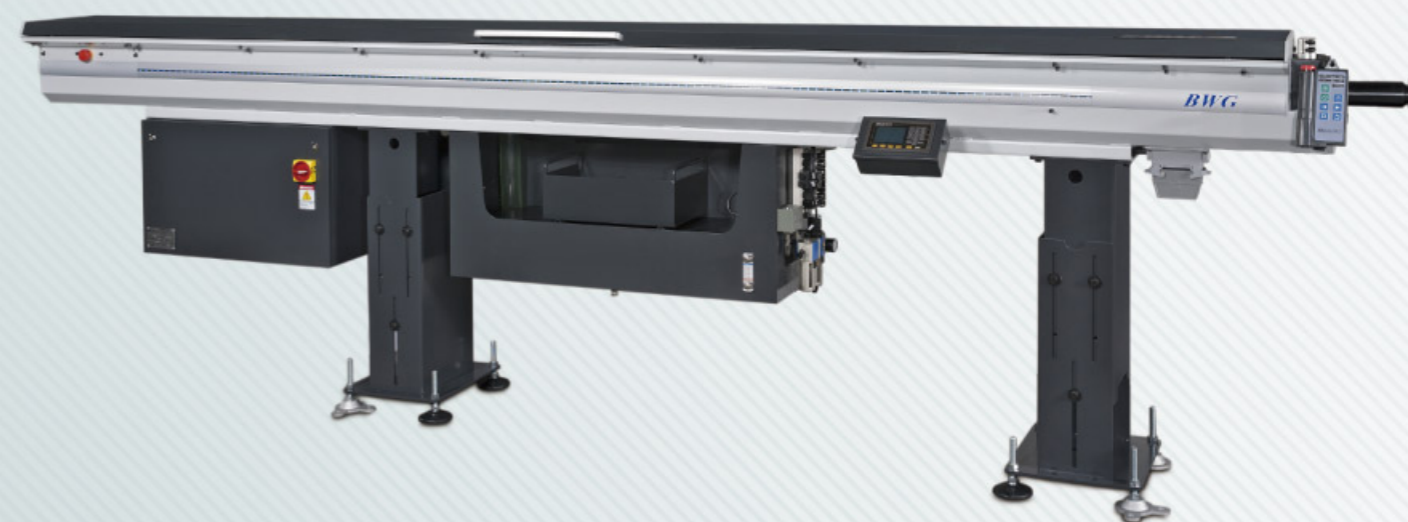
15885000714CE-1



[www.barload.com.tw](http://www.barload.com.tw)

創新研發 · 台灣領航  
 品質追求 · 世界第一

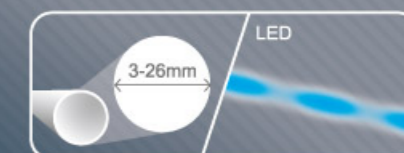
Quality Innovation  
 Reliability Experience



**EWG/BWG** 系列  
 Series  
 3 - 26 mm

**HYDRODYNAMIC BAR FEEDER**

棒 材 送 料 機





**LED遠端監控**  
LED-stripe Display Features Operative Status

- ▶▶ LED燈光外部顯示器，送料加工中棒材長度、換料、送料機異常、車床異常等訊息經LED燈光顯示以視覺表現，方便工作人員遠距離監控。(專利)
- ▶▶ Equipped with LED external display. During bar feeding, various messages such as "bar length", "bar change", "feeder error", and "CNC lathe error" are more easily identified, permitting remote monitoring. (Patented)



**電控系統**  
Electrical System

- ▶▶ 全功能PLC控制器與全方位資料庫軟體概念，送料工作中位置、扭力、速度，搭配CNC車床，控制精準。
- ▶▶ All new function: PLC data bank. Feed positioning, torque and speed are accurately controlled and perfectly interfaced with the CNC lathe.



**智慧型人機介面**  
Fuzzy Human Machine Interface

- ▶▶ 人機界面控制，多語言系統人性化溝通，操作與設定，異常故障排除容易。
- ▶▶ Human-machine control system. User-friendly interfacing. Easy to operate settings, trouble shoot.



**下料調整**  
Adjustable Loading System

- ▶▶ 下料機構一次調整，精確度高。
- ▶▶ Single point diameter adjustment for bar loading.



**防震系統**  
Anti-vibration System

- ▶▶ 滾輪式防震組依棒材大小調整，快速方便。
- ▶▶ Roller type anti-vibration system, easy to adjust for different bar diameters.



**手控器**  
Movable Remote Controller

- ▶▶ 移動式手控盒，操作容易簡便，符合人體工學，防水、防油。
- ▶▶ Remote control box greatly increases operational convenience and meets human engineering theorem, water & oil resistant.



**高分子膠管**  
Optional high-polymer-made guide channel set. (PU)

- ▶▶ 更換料管，快速容易，多種尺寸選擇，送料時省力順暢，消音效果佳。
- ▶▶ Full size guide channel, easy quick change and less noise.



**EWG:金屬管(STEEL GUIDE CHANNEL)**  
金屬料管  
Optional Powder-metallurgy-made guide channel set.

- ▶▶ 未來主流新式送料管，超耐磨高硬度材質料管，精度高，壽命長，送料時省力順暢，消音效果佳，永久保固。(專利)
- ▶▶ All new guide channel design features maximum wear resistance, high rigidity, high accuracy and long service life. Extremely effortless and smooth feeding effect. Superior sound buffering effect, Life time warranty (patented).



**時規皮帶減速機構**  
A durable belt

- ▶▶ 降低高速拉回時噪音。
- ▶▶ A durable belt features a cut noise while operated.

- 更換材料尺寸一次調整(專利)。
- 換料時間快速。
- 多種料管尺寸選擇，更換快速容易。
- 油與殘料分離收集設計。
- 伺服馬達送料系統。
- 左右向可搭配車床，方向選擇。
- 金屬料管可使用花型材料(選購)。
- 機械機構做插拔料穩定順暢。
- 外部LED顯示器。

- Self adjusting clamping device. (Patented)
- Rapid bar loading time.
- Full size guide channel, easy and quick change.
- Oil and remnant separation collection design. (Patented)
- Servo motor feeding system.
- L/R side choice depending on CNC lathe direction.
- Steel metal guide channel design. Especially suitable for running sharp material. (Optional)
- Mechanical grip device for stable bar clamp in/out from the finger collet.
- External LED display.



**免調整夾料系統**  
Clamping Device Requires No Adjustment

- ▶▶ 夾料免調整。
- ▶▶ Adjustment free clamping, easy to use for different sizes of material.



**夾料座**

- ▶▶ 夾持力強化結構及力量
- ▶▶ A clamping mechanism greatly enhances the clamping force.



**EWG/BWG** 系列  
Series

**HYDRODYNAMIC BAR FEEDER**

棒材送料機